



Recovery Chair

So feel

- Chemotherapy Rooms
- Dialysis Center
- IV Rooms
- Recovery Rooms

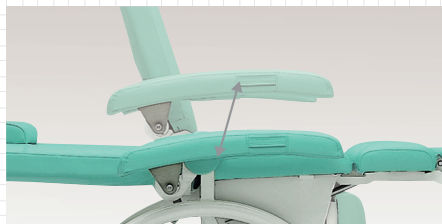
From the patient's point of view, we have incorporated a variety of features and details, including options, to ensure that the patient can sit comfortably for long periods of time and receive treatment with peace of mind.



FEATURES



Patient's Own Adjustable Reclining Function
The angle of the backrest and leg rest can be adjusted by operating a remote control. Patients can adjust the angle themselves for a more comfortable posture.



The Backrest and Armrests Work Together to Provide a Stable Seating Position.
The armrests lower horizontally in tandem with the backrest, allowing the user to recline in a natural posture.



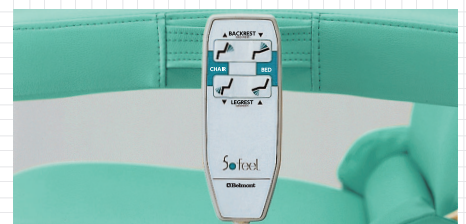
Leg Rest with Adjustable Angles to Suit the Patient
The angle can be adjusted in any position from chair to flat bed. The image shows step type that receives the heel for a better hold.



Flip-up Armrests
The armrests on both sides can be flipped up in one action, which also functions for loading and unloading wheelchair patients from the side.



Smooth to the Touch Leather is Used.
Smooth-feeling leather and cushioned seats for even softer seating comfort are used in pursuit of a comfortable environment that reduces fatigue even after long hours of treatment.



Easy-to-operate Hand Remote Controller
The angle of the backrest and leg rest can be adjusted respectively with a simple operation. It is also possible to adjust the backrest and leg rest by pressing the two control switches at the same time.

OPTIONS



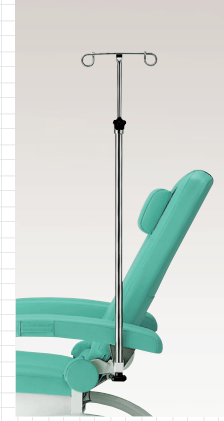
Table Delivery

Convenient for reading or small storage, it enhances comfort during treatment.



Basket

It is convenient for patients to place their bags, jackets, and other hand luggage.



Irrigator Stand

The Irrigator stand can be mounted on either the left or right side of the chair body. Compared to the stand type, it saves space.

LEATHER COLOR SELECTION



Yellow
(ES2)



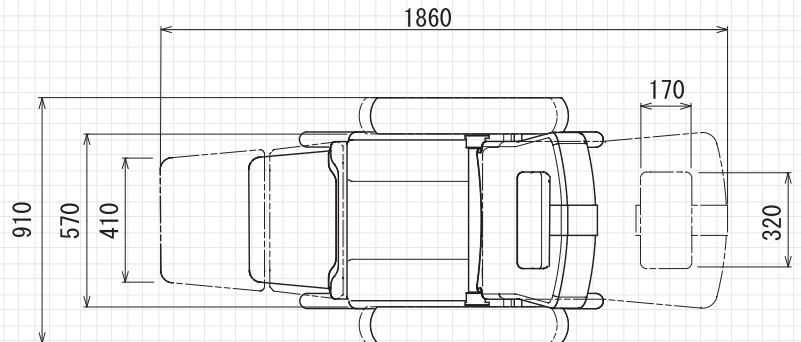
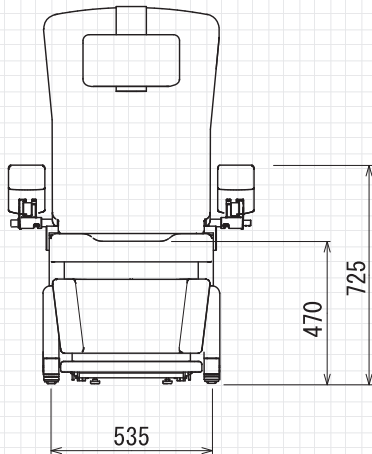
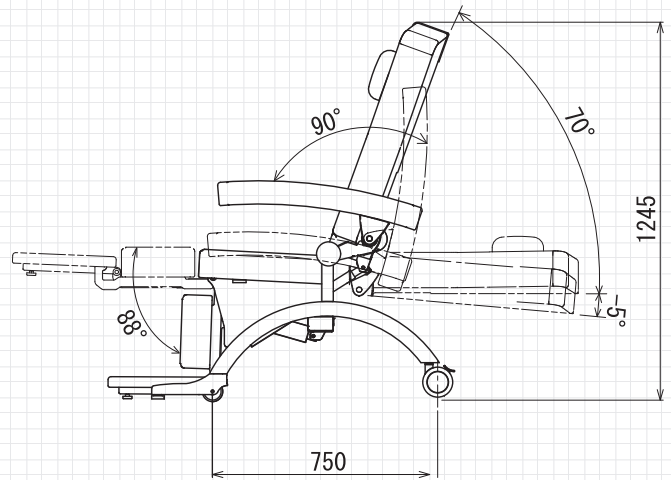
Mint Blue
(ES5)



Rose Mist
(ES6)

DIMENSIONS & SPECIFICATIONS

Dimension of Main Unit	Armrest Width 170mm 1,860mm(max) × 910mm × 1,245mm(max)
Product Weight	72kg
Electrical Ratings	AC 110/120V, 50/60Hz, 180VA
Operating Voltage	DC 24V



(Unit : mm)

