

Gynecological Unit

DG-WS110D

Gynecological unit for storing medical instruments and materials



① Cusco warmer



Cusco can be kept warm in the sterile pack. Warmer pad keeps CUSCO at a set temperature at all times. Temperature can be adjusted in 3 steps.

② Drawer



Easy to organize and view the instruments.

③ Front storage

Deep enough to accommodate larger tools.

④ Shelves



Two-tiered shelves can be adjusted in three heights and can be removed.

⑤ Table

The rim prevent items on the table from falling off. Optional side table provides wider space.

⑥ Side drawer



Long and narrow tools can be stored upright. Tools can be organized by type.

⑦ Rack

Space for storing bottles and replenishment stock. Easy access at a glance.

Options (Sold Separately)

Specifications

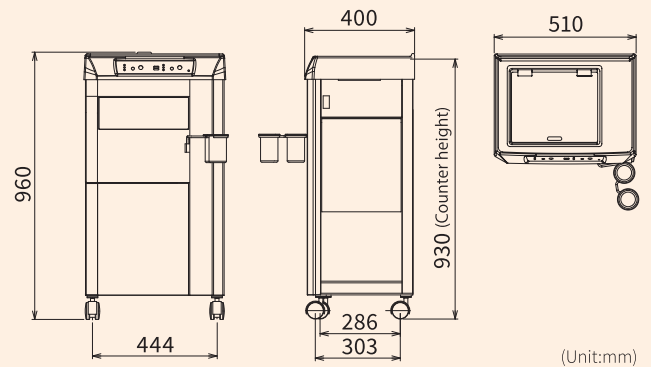


Wall Storage



Including Forcep stand 2 pcs & Cusco tray 1 pc

Side Table



(Unit:mm)

Rating (main unit)	AC 115 / 120 / 220 / 230 / 240 V, 50 / 60 Hz
Operation Voltage	DC 5V
Net Weight	62 kg

Standard accessories | • Forcep stand 2 pcs • Cusco tray 1 pc

Medical Light

DG-301S

LED light with color temperature close to sunlight for easy viewing

Appropriate Color Reproduction

Natural light with a color temperature of 5000K (close to sunlight) vividly reproduces the colors of body tissues.

Triple Axis Mechanism

The range of light angle adjustment is wider than that of our conventional products. This mechanism enables lighting from various angles.



When mounted on the unit



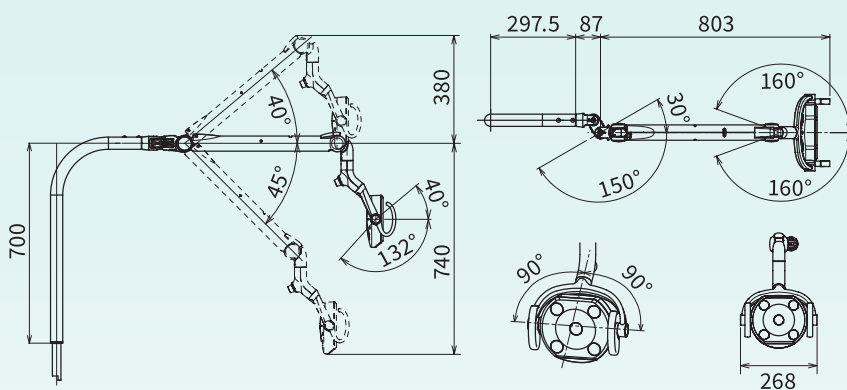
Illuminance Control

Illuminance can be continuously adjusted between 2,500 and 20,000 lx by turning the volume.

Touchless Switch

The light can be turned on and off simply by holding the hand over the sensor.

Specifications



(Unit:mm)

Electrical Ratings	AC100-240V, 50/60Hz
Light Source	2W LED 5 lights
Standard Irradiation Pattern	φ150mm
Irradiation Distance	650mm
Central Illuminance	2,500~20,000lx Dimmer
Central Color Temperature	5,000K



<https://medical.takarabelmont.co.jp/>

