

OPERATING TABLE  
**DR-2600**  
Series



# OPERATING TABLE

# DR-2600

## Series



### BELMONT'S RELIABLE ELECTRO-HYDRAULIC MECHANISM

#### **High Power**

Hydraulic device can generate greater power that takes little effort to use compared with electric motors.

#### **Quiet and Smooth**

The inertia of hydraulic device is so small and the movements keep quiet and smooth.

#### **Long Life**

The lubricity and no rust of oil make the hydraulic device to require no parts replacement due to mechanical abrasion.



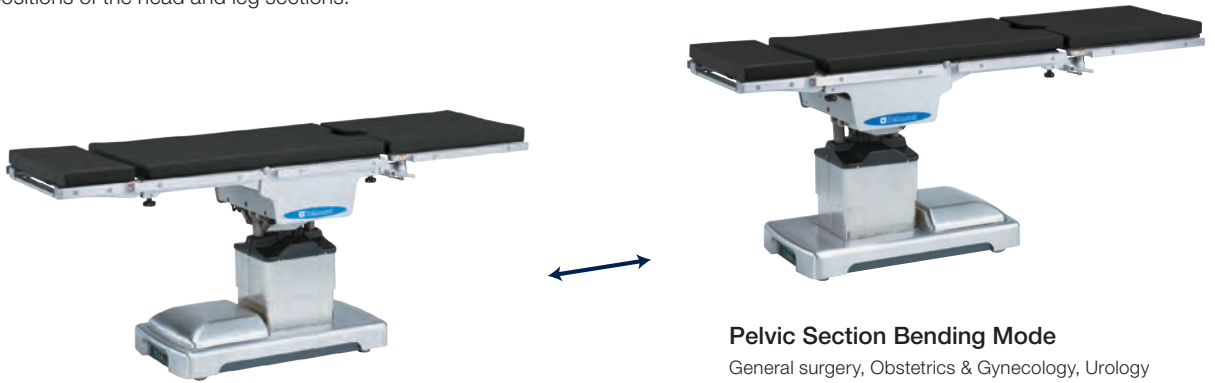
General Surgical Operating Table that Pursues Quality and Cost-effectiveness by Focusing on Essential Functions  
The DR-2600 series is available in four models, including the standard model and versions with additional features and capabilities for use in different types of surgeries.



# COMMON FEATURES OF DR-2600 SERIES

## Swapping of Head and Leg Sections

ONE table can be used for a variety of operations by swapping the positions of the head and leg sections.



### Back Section Bending Mode

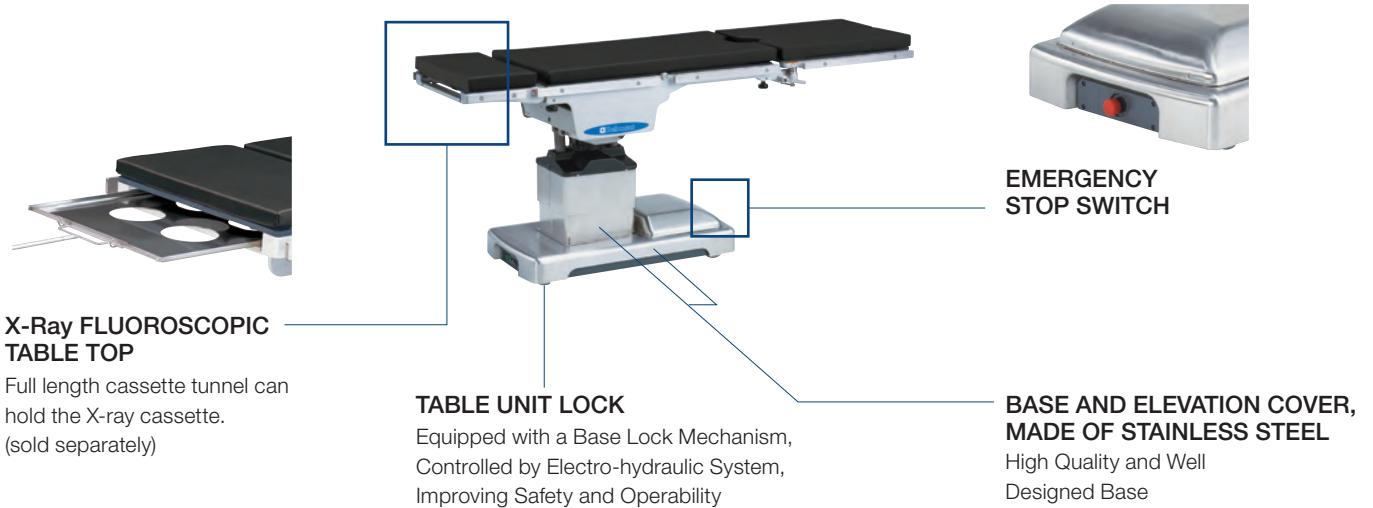
General surgery, Otolaryngology, Ophthalmology, Dermatology, Plastic surgery

### Pelvic Section Bending Mode

General surgery, Obstetrics & Gynecology, Urology secures space for C-Arm and lithotomy position.

## Return-to-Level Mechanism

A Function to Allow Reverse Trendelenburg, Trendelenburg, Lateral Tilt and Back Section (or Pelvic Section) to Return to a Horizontal Position while Pushing the Button



# POSITIONS & OPERATIONS

Lithotomy Position with Knee Crutches (Option)



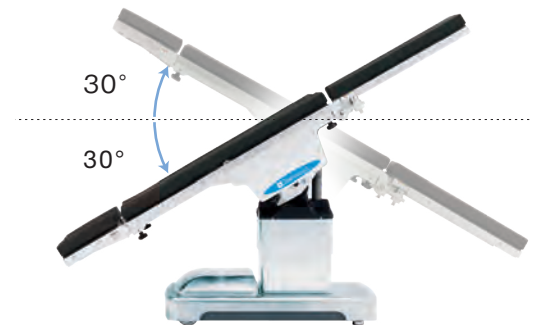
Jackknife Position



Bent and Split Leg Plates Position



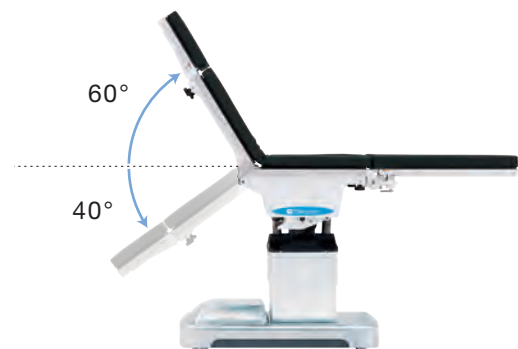
Trendelenburg / Reverse Trendelenburg Position



Lateral Tilting



Back Section Bending



\* DR-2600-Y / DR-2600-SY : Up 65°, Down 30°

## Safety Conscious 12VDC Low-voltage Hand Switch Controller

The slim, lightweight remote control with icons ensures even greater operability, Erroneous operation is deterred with the "E" button, which needs to be depressed simultaneously with the desired function.



DR-2600  
DR-2600-Y



DR-2600-S  
DR-2600-SY

# FEATURES



## Battery Power

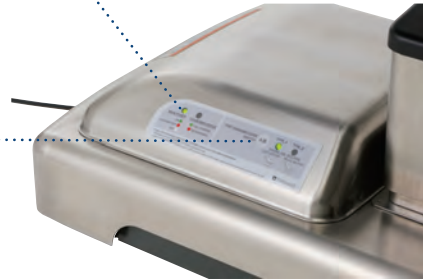
DR-2600-Y  
DR-2600-SY

### Main Power, Battery Status Indicator

The indicator displays the main power and the charging status.

### Orientation Changing-Over Switch

This function, after swapping the head and leg sections, ensures that the represented orientation for Trendelenburg, Reverse Trendelenburg, and Lateral Tilt remain accurate on the remote control.



## Override Control Panel

DR-2600-Y  
DR-2600-SY

An override control panel is provided, allowing operation of all movements even when the remote control is not available.



The picture is for DR-2600-SY.

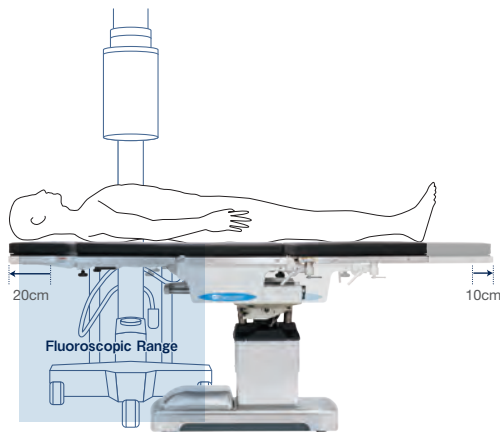


## Tabletop Slide

DR-2600-S  
DR-2600-SY

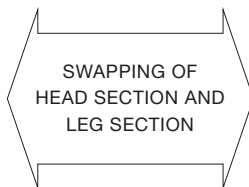
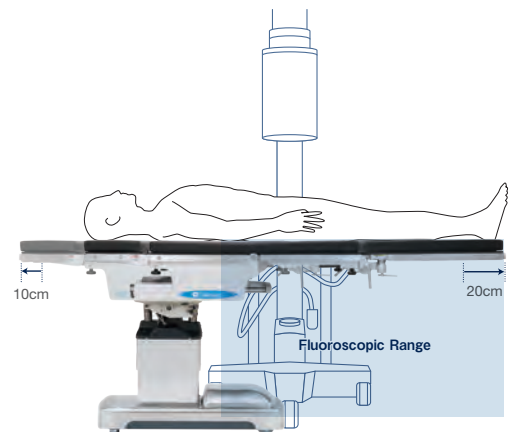
### Back Section Bending Mode

Tabletop slides 20cm toward head section and 10cm toward leg section.



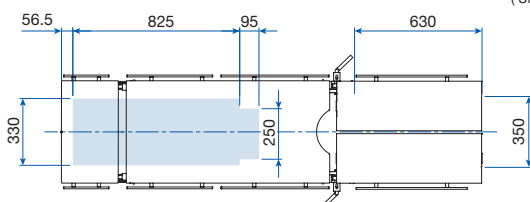
### Pelvic Section Bending Mode

Tabletop slides 10cm toward head section and 20cm toward leg section.



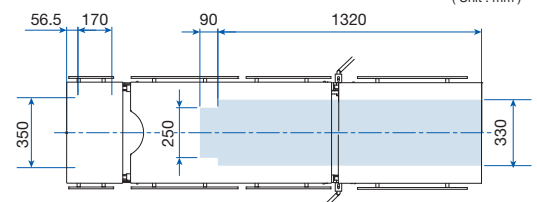
### Fluoroscopic Operation Primarily for the Torso

(Unit : mm)



### Fluoroscopic Operation Primarily for the Lower Limbs

(Unit : mm)



## DR-2600

### Standard Model

A Cost-effective Standard Operating Table Designed for Various Surgical Procedures



## DR-2600-Y

### With Extra Functionality

Batteries are mounted onto the existing standard model, with more convenient functions added to improve usability.



Battery Power



Override Control Panel



## DR-2600-S

### Tabletop Slide Model

Provision of a sliding function enables the area for fluoroscopy to be expanded to better cope with diverse operations.



Tabletop Slide



## DR-2600-SY

### Tabletop Slide with Extra Functionality

Tabletop Longitudinal Slide Performed by Electro-hydraulic Mechanism with Battery Power



Battery Power



Override Control Panel



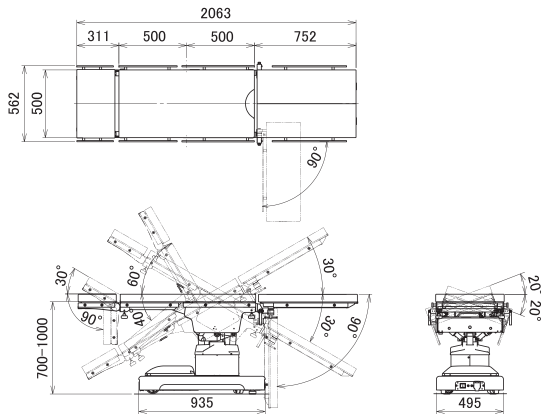
Tabletop Slide



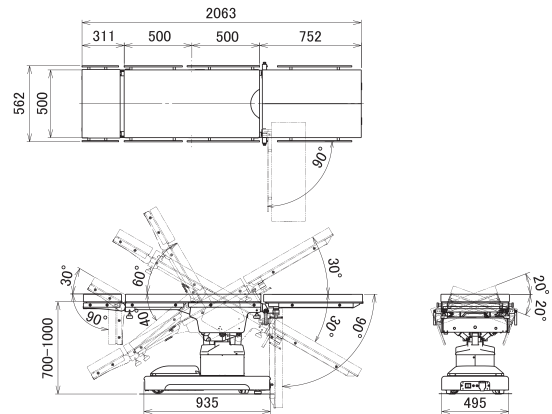


# DIMENSIONS & SPECIFICATIONS

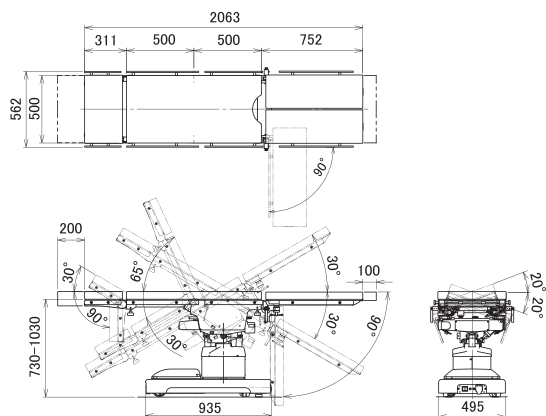
**DR-2600** (Unit : mm)



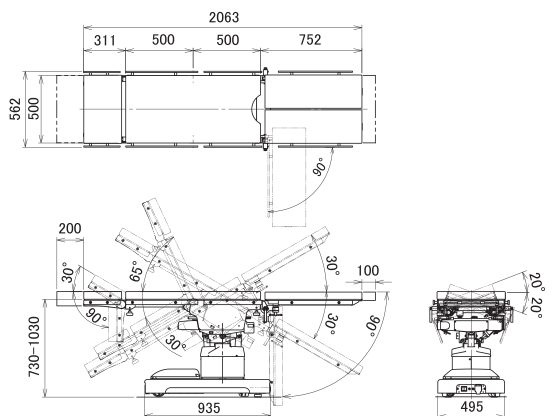
**DR-2600-Y** (Unit : mm)



**DR-2600-S** (Unit : mm)



**DR-2600-SY** (Unit : mm)



		DR-2600	DR-2600-Y	DR-2600-S	DR-2600-SY
<b>Table Height</b>	Electro-hydraulic Mechanism	700-1000mm		730-1030mm	
<b>Trendenbug</b>	30deg, Electro-hydraulic Mechanism	○	○	○	○
<b>Reverse Trendelenburg</b>	30deg, Electro-hydraulic Mechanism	○	○	○	○
<b>Lateral Tilt (Right/ Left)</b>	20deg, Electro-hydraulic Mechanism	○	○	○	○
<b>Back Section ( Or Pelvic)</b>	Up/ Down, Electro-hydraulic Mechanism	+60/-40 deg		+65/-30 deg	
<b>Table Slide</b>	Head Direction 200mm/ Leg Direction 100mm, Electro-hydraulic Mechanism			○	○
<b>Head Section</b>	Up/ Down, +30/-90 deg, Manual Operation	○	○	○	○
<b>Leg Section Bending</b>	Up/ Down, 0/-90 deg, Manual Operation	○	○	○	○
<b>Leg Section Splitting</b>	Right/ Left, 0/-90 deg, Manual Operation	○	○	○	○
<b>Auto-return-to-level Mechanism</b>	Trendelenburg/ Reverse Trendelenburg, Lateral Tilt, and Back Section( Or Pelvic)	○	○	○	○
<b>Level Detectors</b>	Trendelenburg/ Reverse Trendelenburg, Lateral Tilt, and Back Section( Or Pelvic)	○	○	○	○
<b>Override Control Panel</b>			○		○
<b>Rechargeable Battery</b>			○		○
<b>Orientation Changing Over Switch</b>			○		○
<b>Rated Voltage</b>	AC100/110/ 120/ 220/ 230/ 240V	○	○	○	○
<b>Operating Voltage</b>	DC5V	○	○	○	○
<b>Product Weight</b>		220kg	240kg	250kg	270kg

