



Examination Chair EXFEEL

Exfeel

Belmont



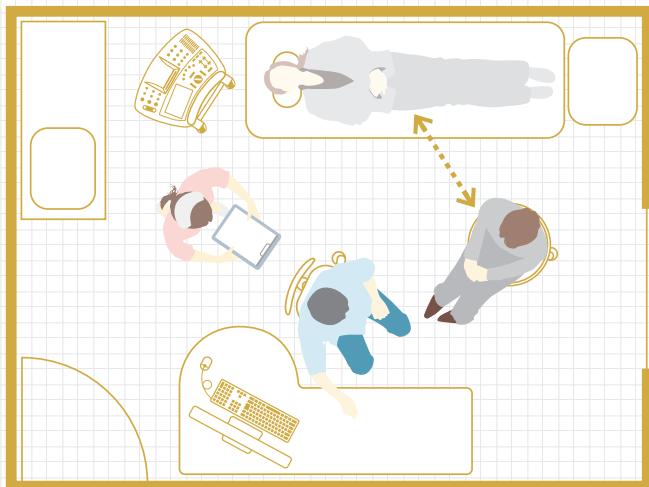


A chair-type

examination table that can function as both a chair and a bed and can be used in a variety of medical fields. It features comfortable cushioning and soft-touch urethane leather.

EXFEEL Realizes Space-saving in the Consultation Room as It is a Chair-type Examination Table

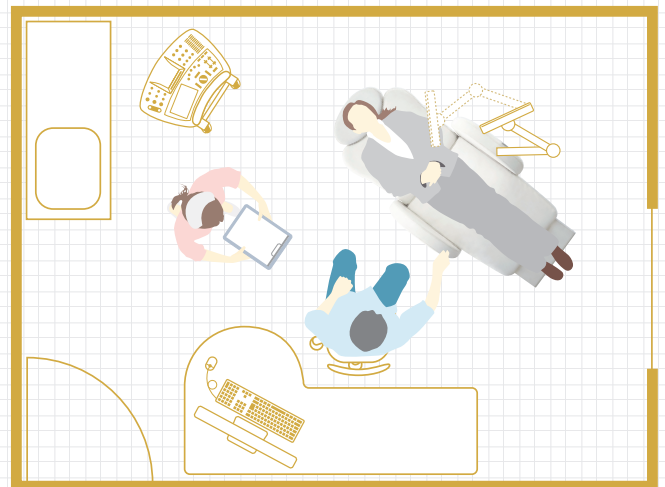
before



Conventional consultation room

Moving from a chair to a bed can be a burden for patients. You also need space to accommodate both the bed and the chair.

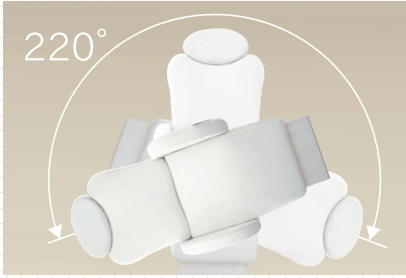
after



Consultation room with EXFEEL

The examination table EXFEEL can transform from a chair into a bed while the patient remains seated, eliminating the need for both the physician and the patient to move for a procedure.

FEATURES



Rotating Function (Rotating Type)

The rotating function allows you to move the patient into an appropriate position depending on the treatment.



Reclining Function

It allows for a smooth position change for various procedures including ultrasound diagnosis.



Height Adjustment

The table can be easily adjusted to the optimum height for the physician.



Removable Armrest

The armrests on both sides are removable. This feature allows you to approach the patient from the side. It also allows wheelchair patients and patients with physical disabilities to safely get in and out.



Roll-up Leg Rest

The roll-up leg rest extends and retracts in conjunction with the backrest. It can support the patients leg when in the bed position.



Foot Control

A foot control raises and lowers the main unit and backrest. You can also use the three program switches and the standby position (to switch to chair mode).

TYPES OF MAIN UNITS AND HEADRESTS AVAILABLE



Rotating Type

With footrest /
Without footrest



Fixing Type

Without footrest

The examination table can be equipped with three different types of headrests according to your needs.



Standard Headrest

The height can be easily adjusted manually.



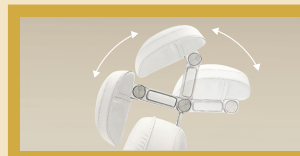
Murti-functional Headrest

A two-joint headrest that allows for angle adjustment
The headrest angle can be easily changed depending on the treatment.



Procedure Headrest

Compact size and two-joint headrest suitable for head and face procedures



Two-joint Headrest with a Wide Range of Motion (Multi-functional Headrest & Procedure Headrest)

Multi-functional headrests and procedure headrests feature two joints that allow the angle to be flexibly changed. The headrest can be adjusted to an angle that is easy for the physician to use, for example, raising the headrest during examinations, or tilting it down during tests or treatments.

COLOR SELECTION



SH8
PURE WHITE



SH21
LEMON YELLOW

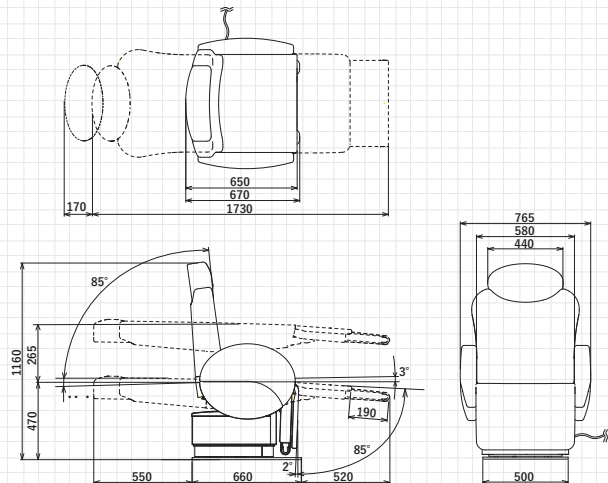


SH9
DARK BLUE

DIMENSIONS & SPECIFICATIONS

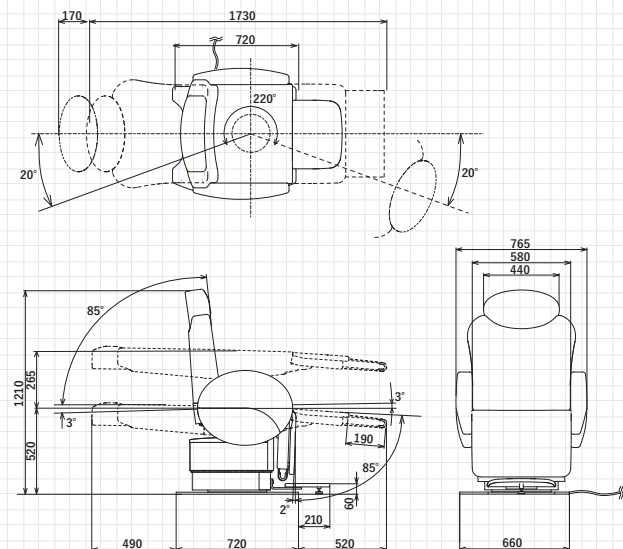
Fixing Type

Chair Height Adjustment	470mm-735mm by Electrohydraulic System/Foot Control
Backrest Height Adjustment	-3°-85°by Electrohydraulic System/Foot Control
Lifting the Chair	
Lowering the Backrest	Pre-set Function (Set to Programmed Position) by Electrohydraulic System/Foot Control
Lifting the Leg Rest	
Extending the Roll-up Leg Rest	
Lowering the Chair	
Lifting the Backrest	Auto-return Function (Return to Standby Position) by Electrohydraulic System/Foot Control
Lowering the Leg Rest	
Retracting the Roll-up Leg Rest	
Headrest Height (and Angle) Adjustment	By Manual Operation
Electrical Rating	AC 110/120/220/230/240 V, 50/60 Hz
Product Weight	135kg



Rotating Type

Chair Height Adjustment	520mm-785mm by Electrohydraulic System/Foot Control
Backrest Height Adjustment	-3°-85°by Electrohydraulic System/Foot Control
Lifting the Chair	
Lowering the Backrest	Pre-set Function (Set to Programmed Position) by Electrohydraulic System/Foot Control
Lifting the Leg Rest	
Extending the Roll-up Leg Rest	
Lowering the Chair	
Lifting the Backrest	Auto-return Function (Return to Standby Position) by Electrohydraulic System/Foot Control
Lowering the Leg Rest	
Retracting the Roll-up Leg Rest	
Headrest Height (and Angle) Adjustment	By Manual Operation
Rotating Function	By Manual Operation (Locking and Unlocking the Chair by Electrohydraulic System/Foot Control)
Electrical Rating	AC 110/120/220/230/240 V, 50/60 Hz
Product Weight	164kg



(Unit : mm)

